



Interstate 25

Interstate 25  
NB Off-Ramp

Interstate 25  
NB On-Ramp

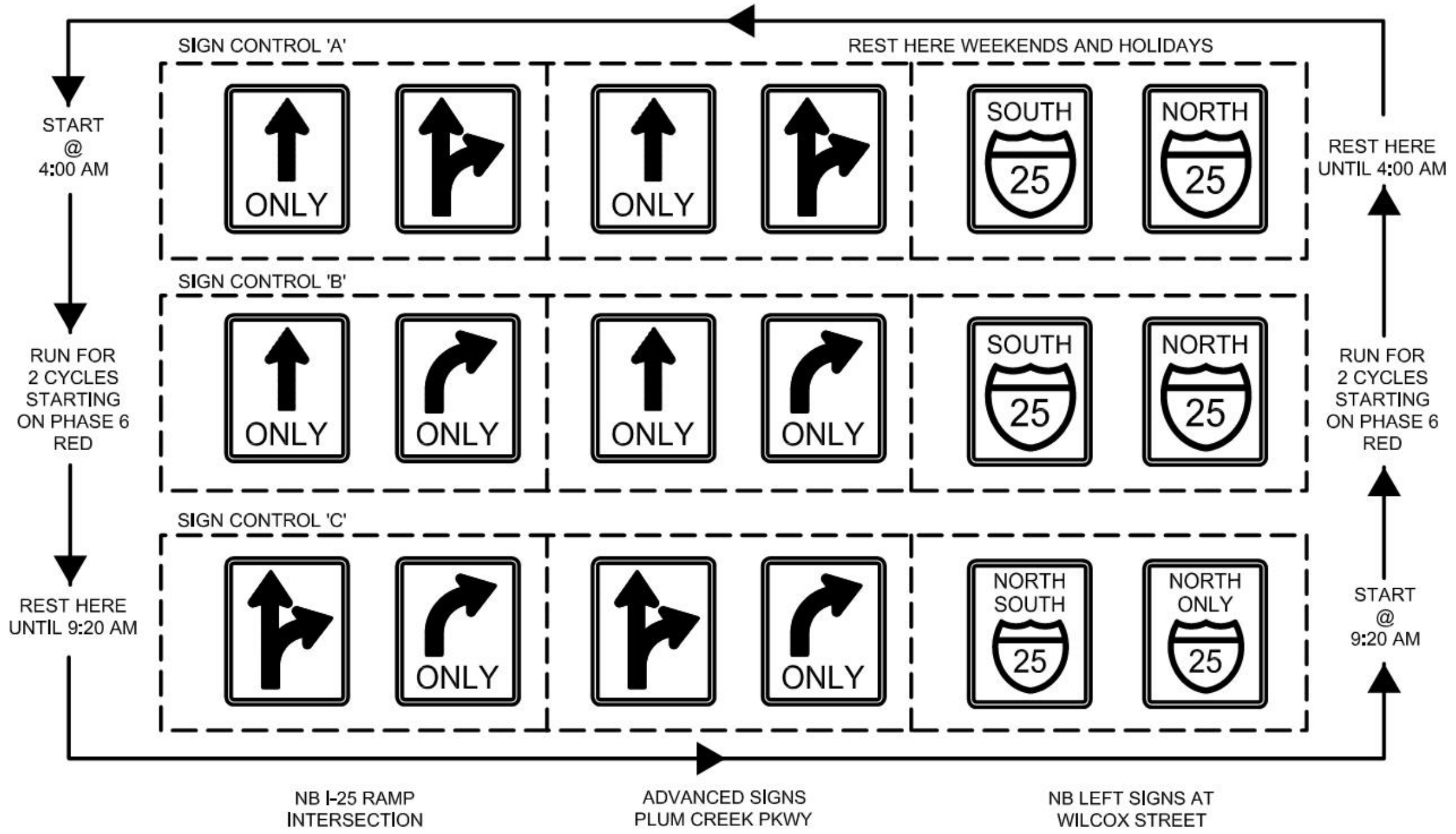
Plum Creek Parkway

S. Wilcox St.

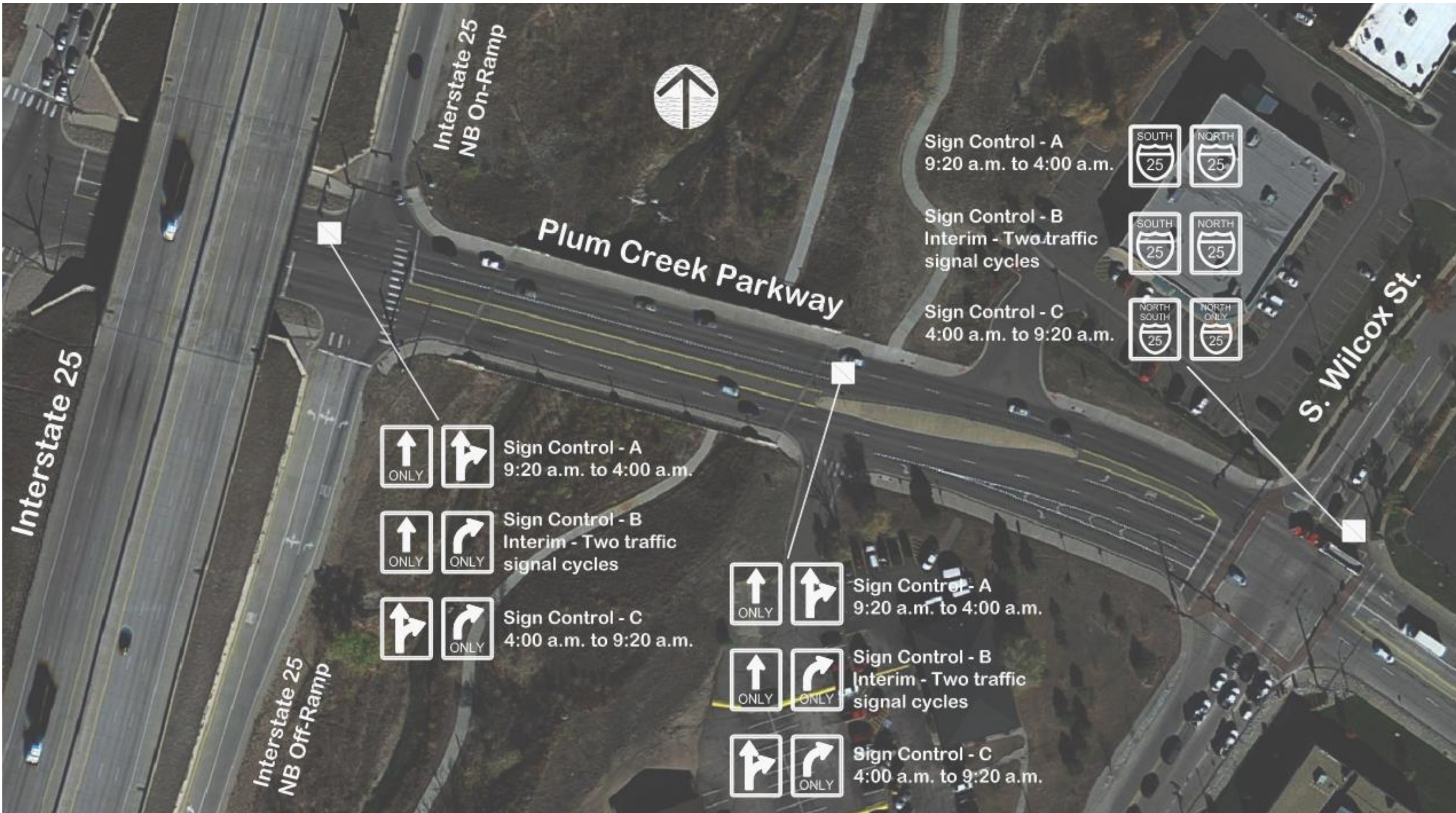












Interstate 25  
NB On-Ramp

Plum Creek Parkway

Interstate 25

Interstate 25  
NB Off-Ramp

S. Wilcox St.



Sign Control - A  
9:20 a.m. to 4:00 a.m.



Sign Control - B  
Interim - Two traffic  
signal cycles



Sign Control - C  
4:00 a.m. to 9:20 a.m.



Sign Control - A  
9:20 a.m. to 4:00 a.m.



Sign Control - B  
Interim - Two traffic  
signal cycles



Sign Control - C  
4:00 a.m. to 9:20 a.m.



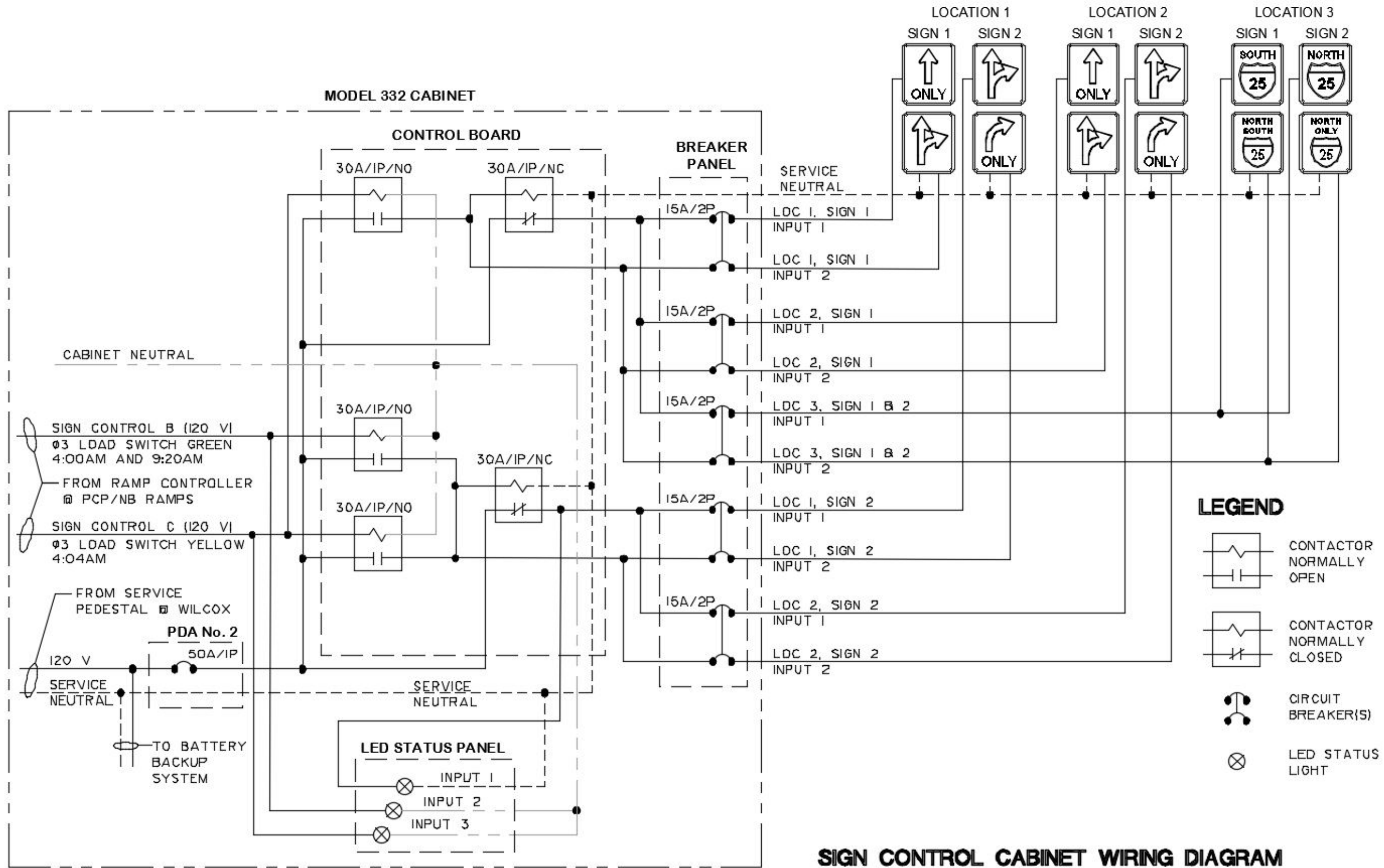
Sign Control - A  
9:20 a.m. to 4:00 a.m.



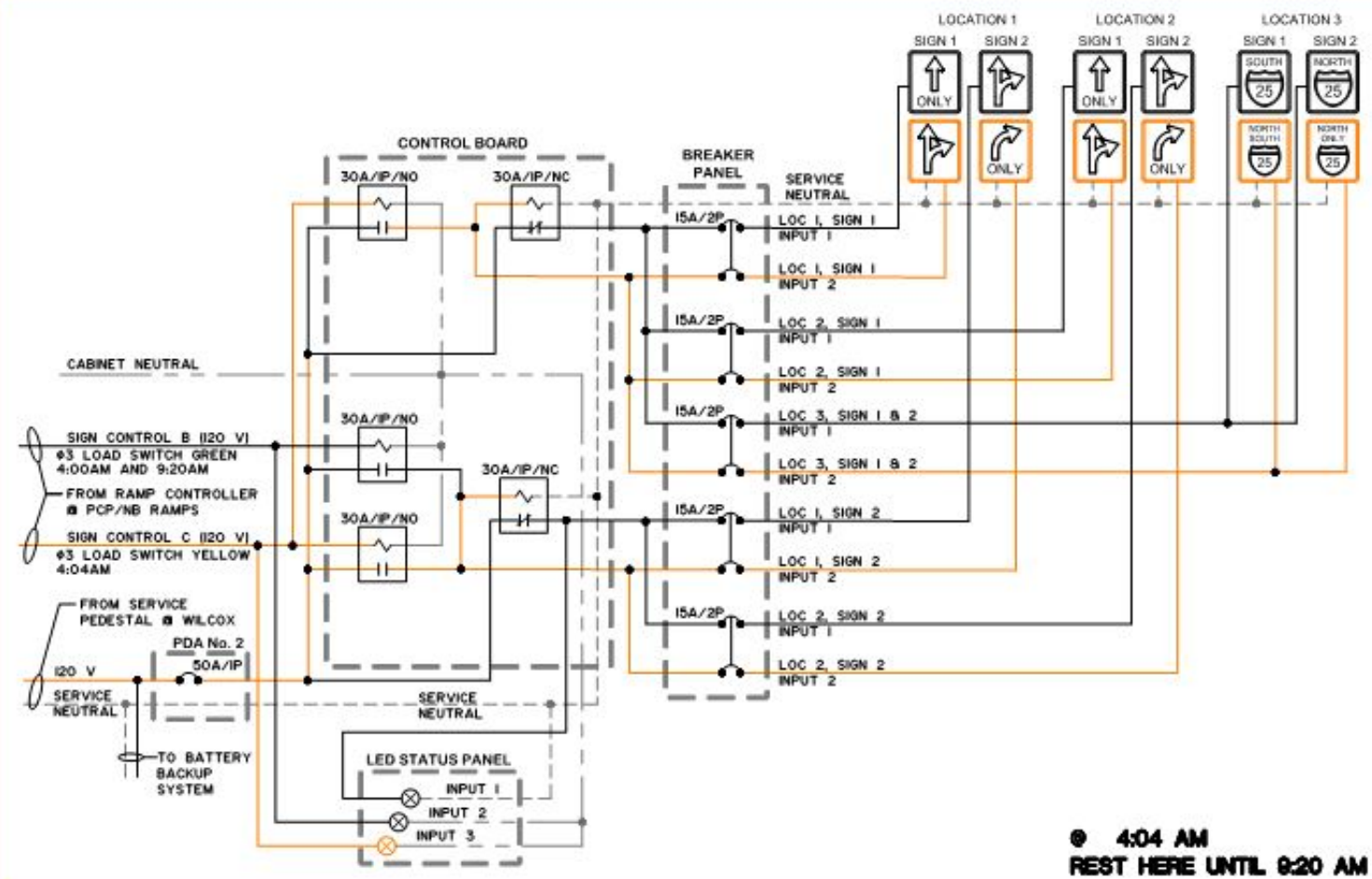
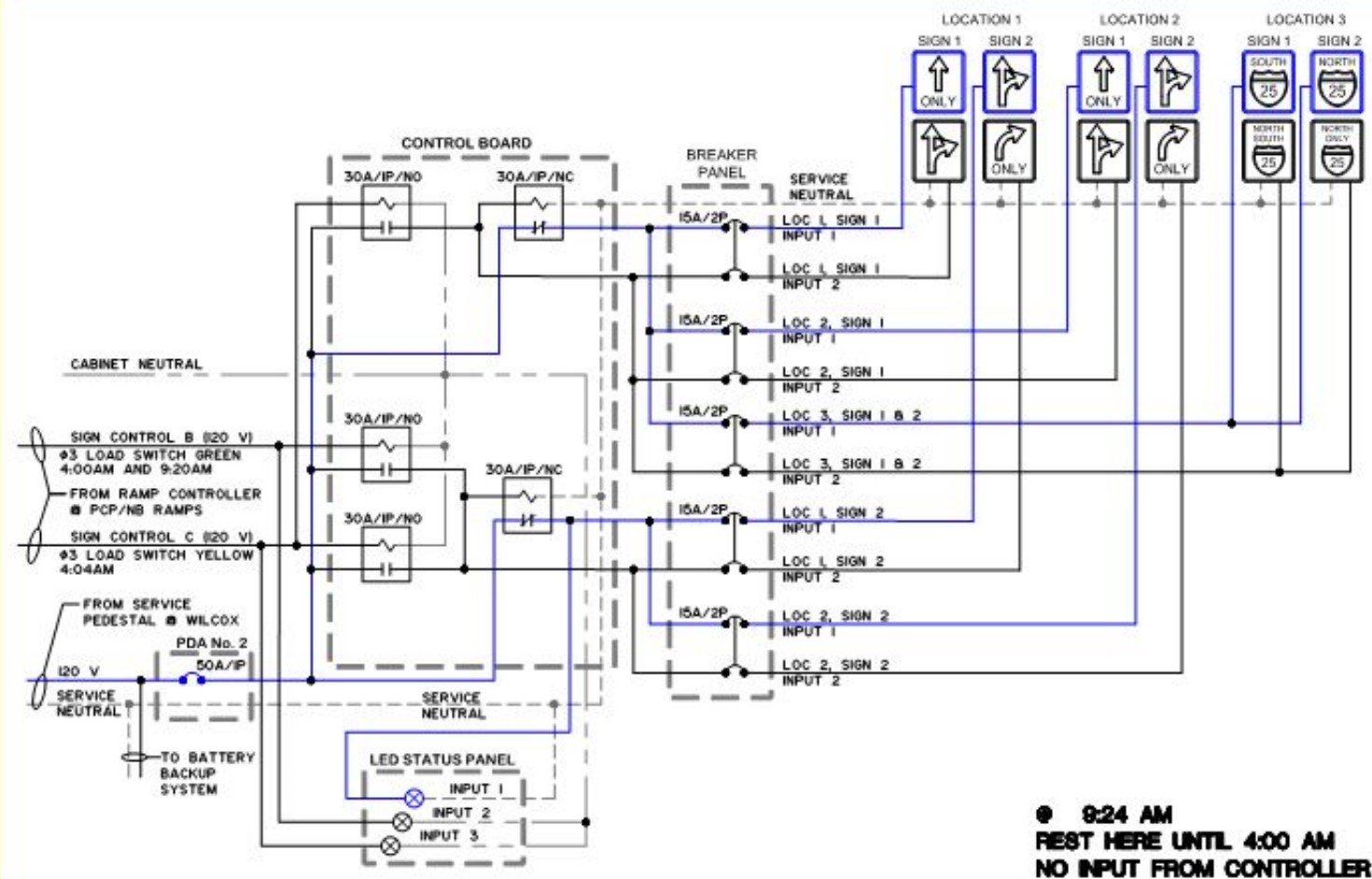
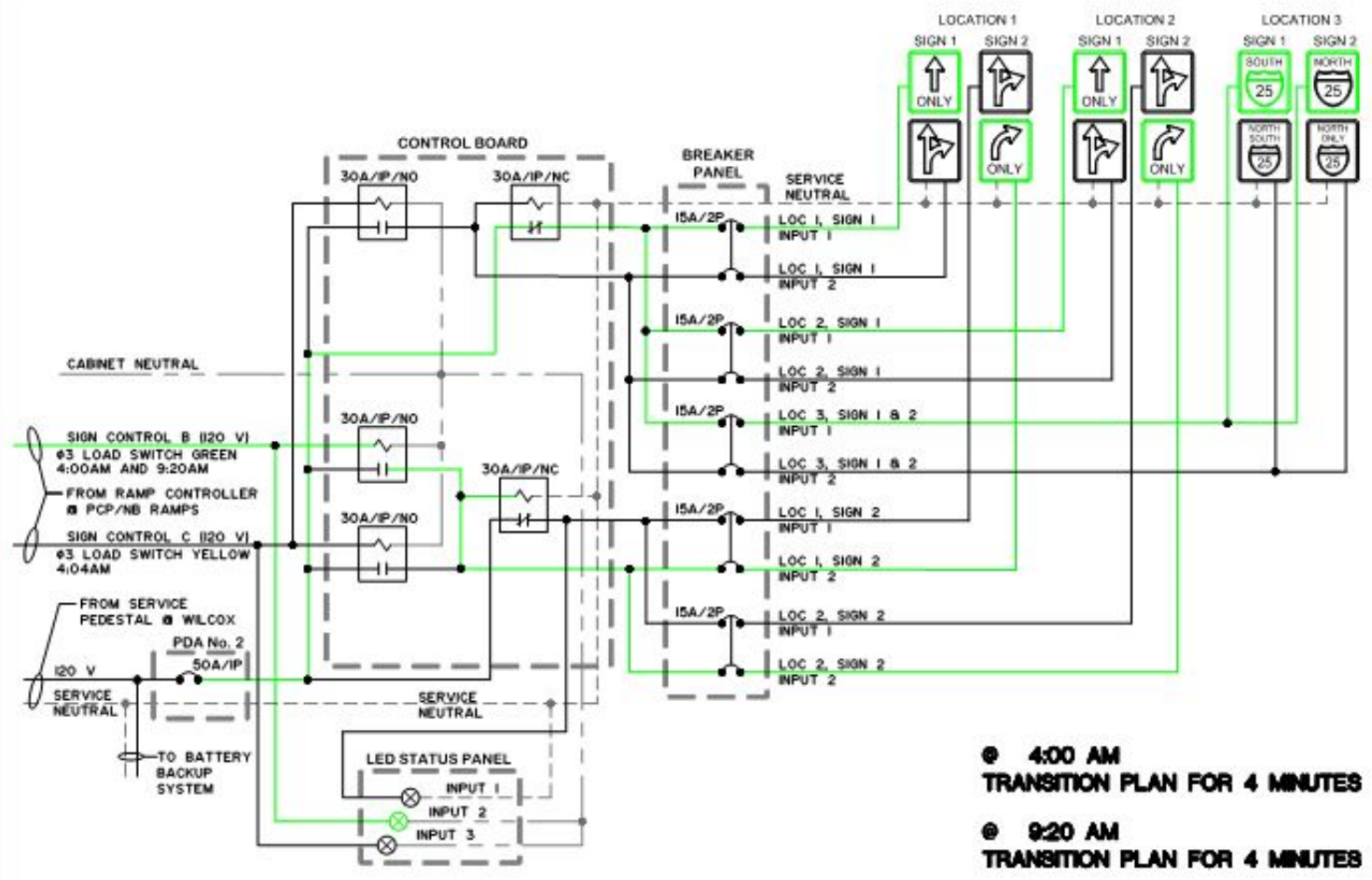
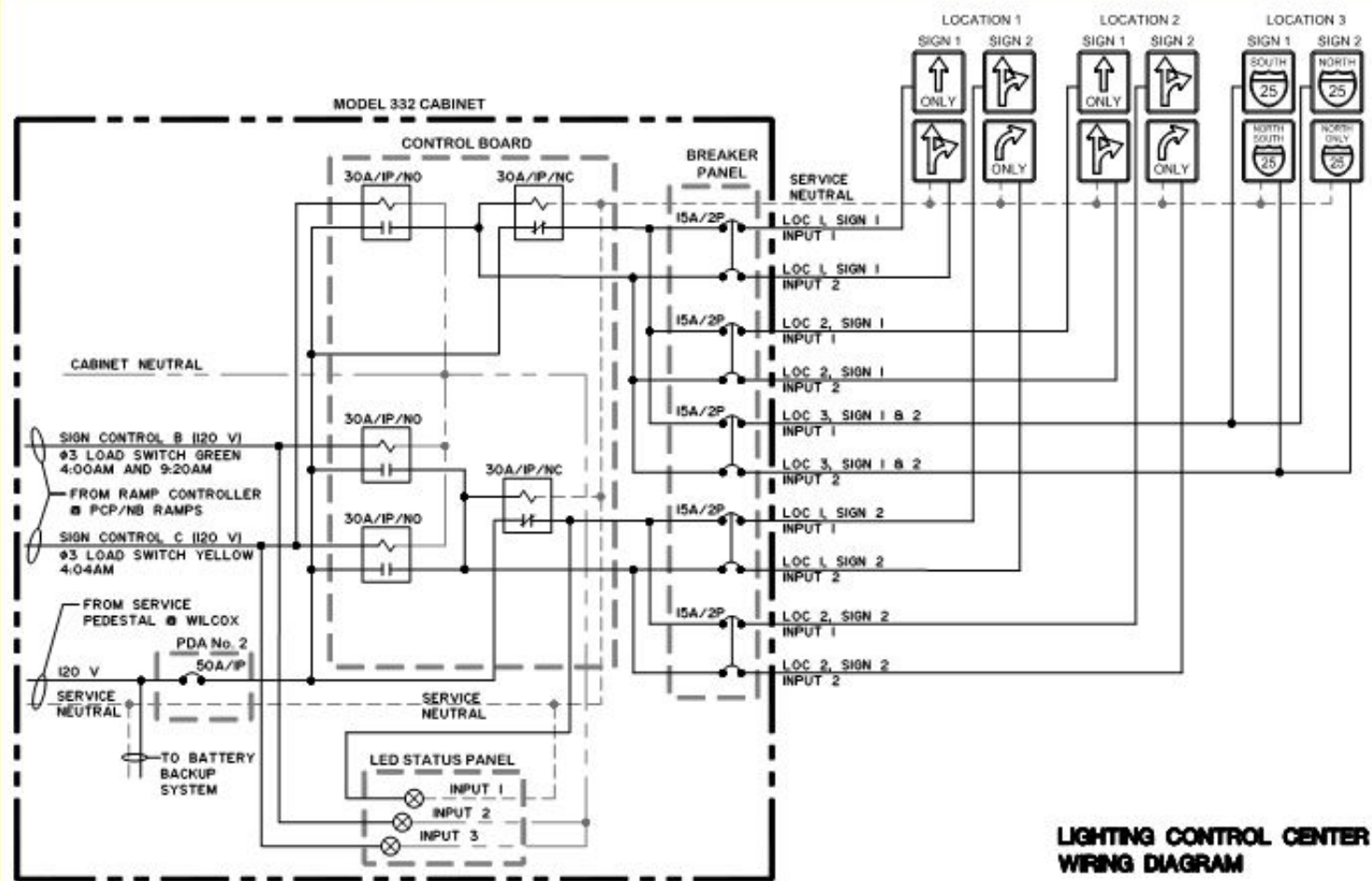
Sign Control - B  
Interim - Two traffic  
signal cycles



Sign Control - C  
4:00 a.m. to 9:20 a.m.



**SIGN CONTROL CABINET WIRING DIAGRAM**









Panasonic

W2

WARNING.  
DO NOT OPERATE THIS EQUIPMENT  
UNLESS YOU ARE A QUALIFIED OPERATOR.

↑

↘  
ONLY

NORTH  
SOUTH  
25

NORTH  
ONLY  
25

88







